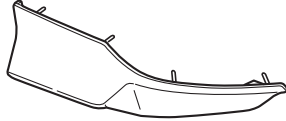


PARTS LIST

Left rear under spoiler



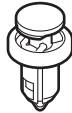
Right rear under spoiler



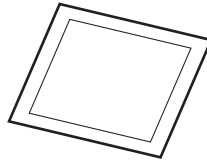
8 Clips A



2 Clips B



2 Alcohol swabs

**TOOLS AND SUPPLIES REQUIRED**

Phillips screwdriver

Flat-tip screwdriver

5 mm Hex wrench

Pushpin

Drill

3 mm, 6 mm, 8 mm, 10 mm, and 12 mm Drill bits

File

Masking tape

Diagonal cutters

Eye protection (face shield, safety goggles, etc.)

Blanket

Ruler

Tape

The following tools are available through the Honda Tool and Equipment Program. On the iN, click on: Service > Service Bay > Tool and Equipment Program, then enter the number under "Search". Or, call 888-424-6857.

- Rubber Roller (T/N MHLE54D)

- Trim Tool Set (T/N SOJATP2014)

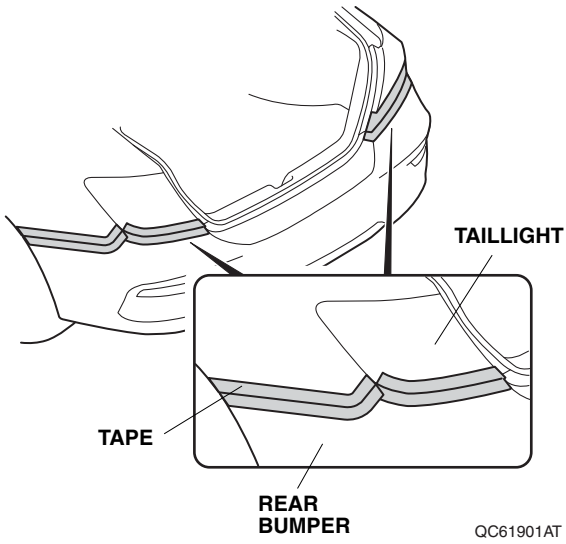
INSTALLATION

Customer Information: The information in this installation instruction is intended for use only by skilled technicians who have the proper tools, equipment, and training to correctly and safely add equipment to your vehicle. These procedures should not be attempted by "do-it-yourselfers."

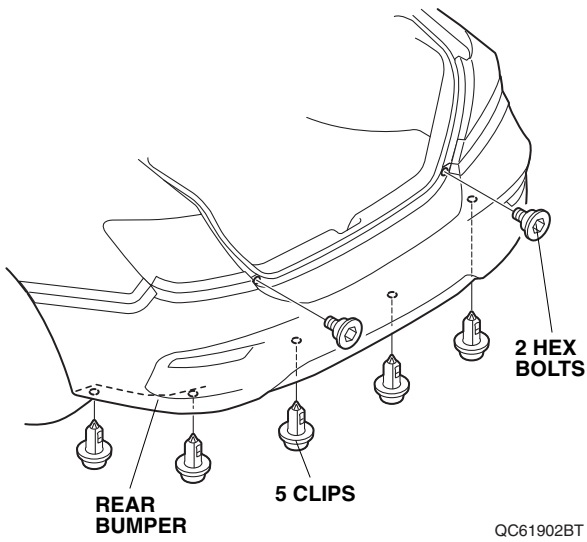
NOTE:

- Be careful not to damage the paint finish.
- This rear under spoilers kit should be installed only if the ambient air temperature is 15°C (60°F) or above.
- To allow the adhesive to cure, do not wash the vehicle for 24 hours. Please advise the customer.

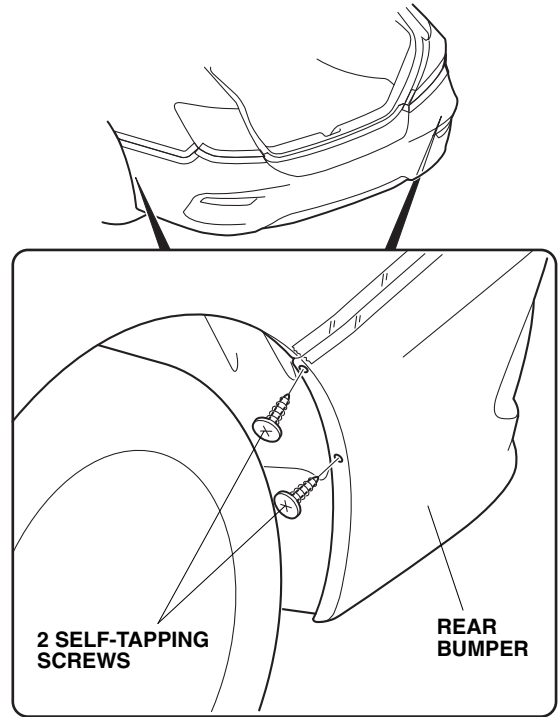
1. Remove the rear bumper:
 - On each side, attach tape to the areas shown.



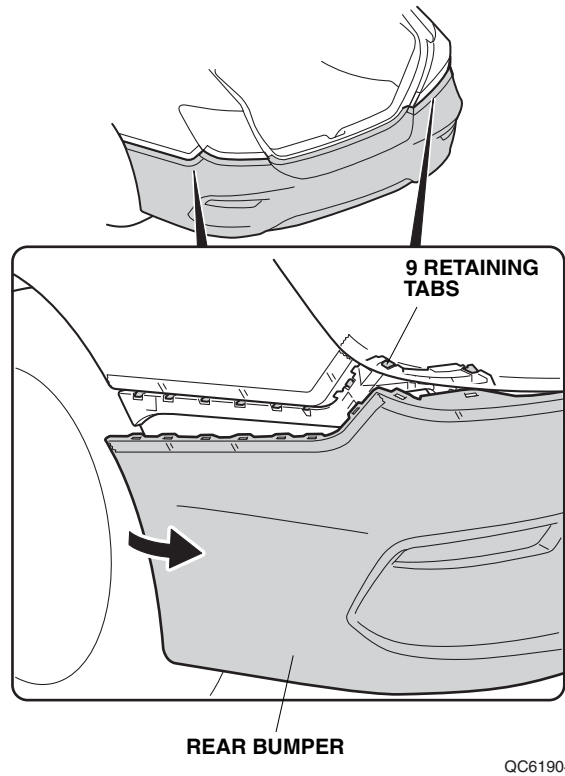
- Remove two hex bolts and five clips.



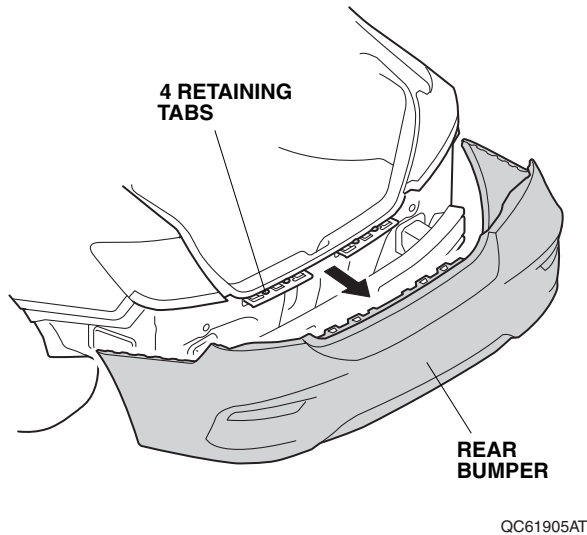
- On each side, remove two self-tapping screws.



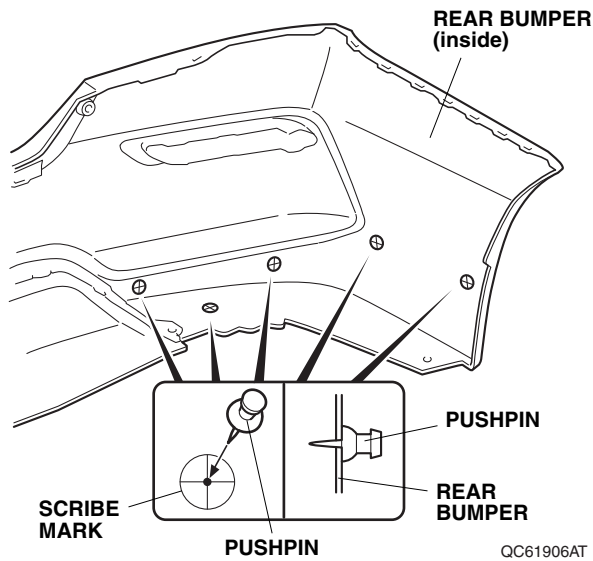
- On each side, release nine retaining tabs.



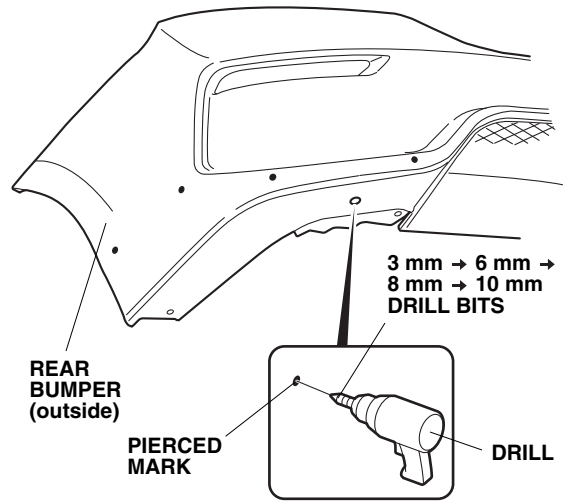
- With the help of an assistant, remove the rear bumper (four retaining tabs). Place the rear bumper on a blanket to prevent damage.



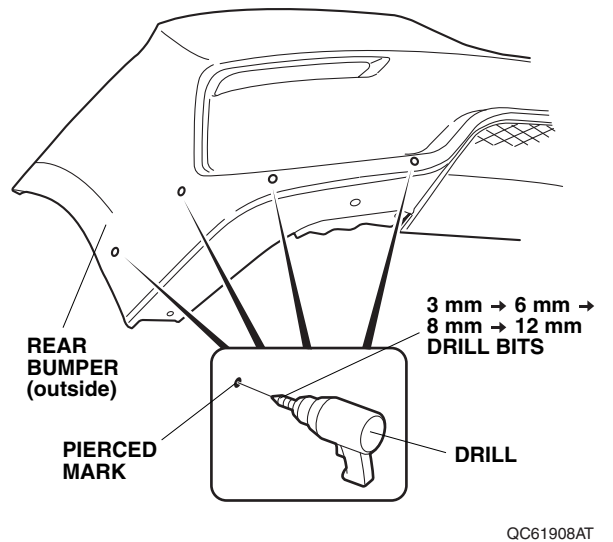
2. Using a pushpin, pierce the center of five scribe marks on the left side of the rear bumper. Repeat on the other side of the rear bumper.



3. While wearing eye protection, drill the lower pierced mark with a 3 mm drill bit, with a 6 mm drill bit, with an 8 mm drill bit, then finish with a 10 mm drill bit. Repeat on the other side of the rear bumper.

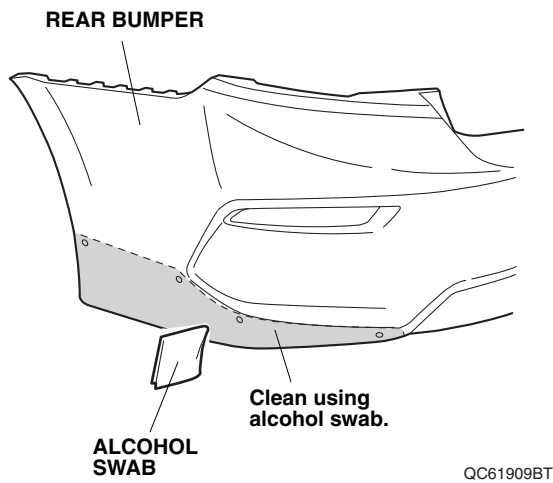


4. Using a file, remove any burrs from the holes.
5. While wearing eye protection, drill the four upper pierced marks with a 3 mm drill bit, with a 6 mm drill bit, with an 8 mm drill bit, then finish with a 12 mm drill bit. Repeat on the other side of the rear bumper.

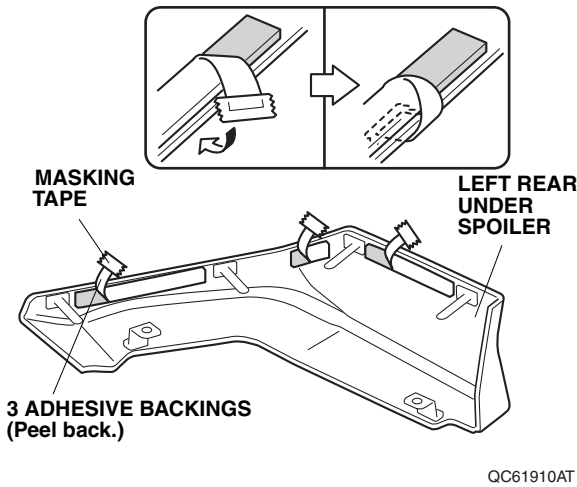


6. Using a file, remove any burrs from the holes.

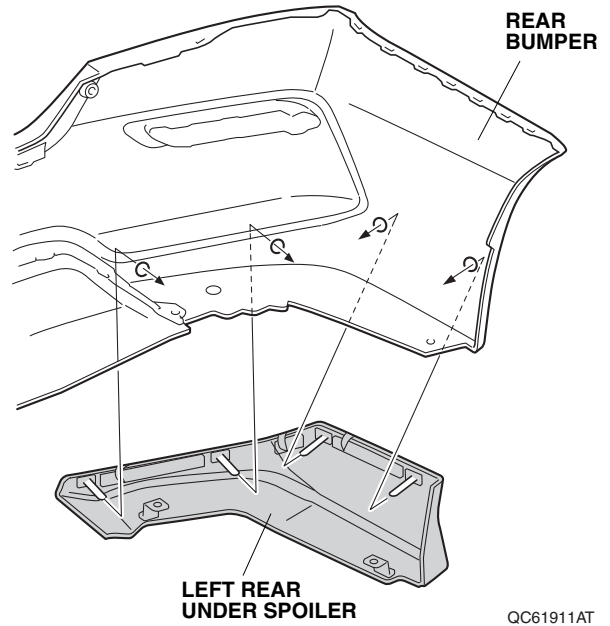
7. Using alcohol swab, thoroughly clean the rear bumper where the left rear under spoiler will attach.



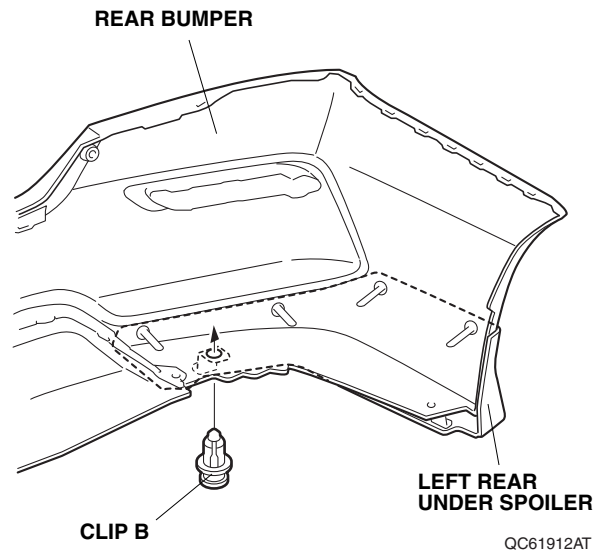
8. Peel back about 20 to 40 mm (0.8 to 1.6 in.) of adhesive backing from each adhesive strip, and tape the ends to the front surface of the left rear under spoiler.



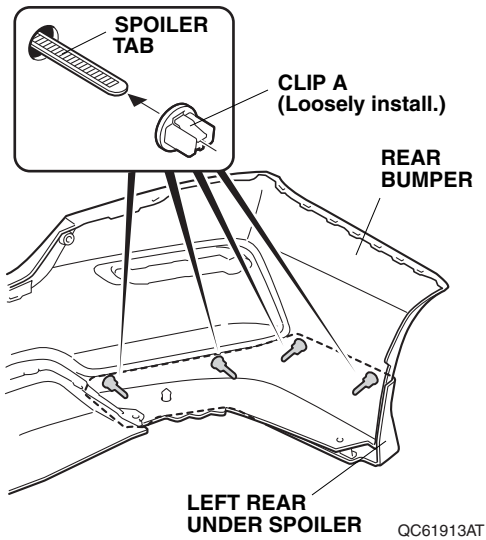
9. Install the left rear under spoiler to the rear bumper.



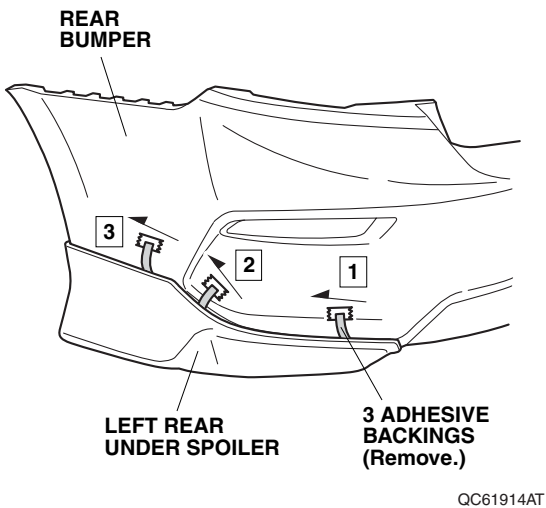
10. Install one clip B.



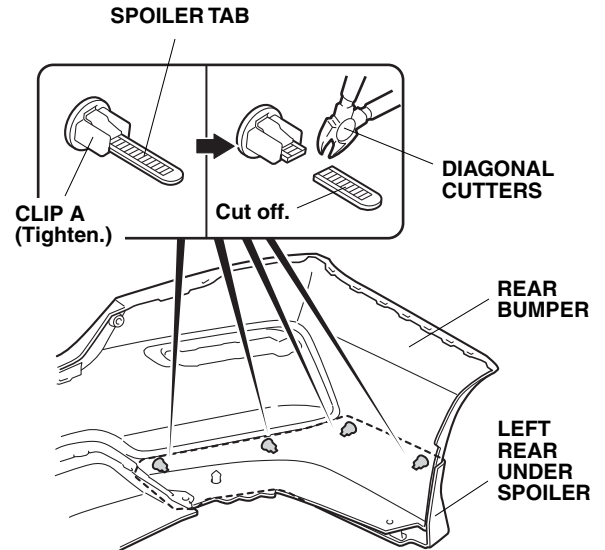
- Loosely install four clips A to the spoiler tabs.



- Remove three adhesive backings in the order shown. Press the left rear under spoiler firmly against the rear bumper with the palm of your hand for 30 seconds to adhere the left rear under spoiler.



- Tighten the four clips A loosely installed in step 11. **NOTE:** Do not push the clip A too tight, or they may deform the left rear under spoiler. Readjust the clip A, if necessary.



- Using diagonal cutters, cut the excess off of the spoiler tab.
- Repeat steps 7 through 14 to install the right rear under spoiler.
- With the help of an assistant, reinstall the rear bumper.
- Using a rubber roller, apply firm pressure while rolling to set the adhesive. Apply firm pressure especially at the ends.

